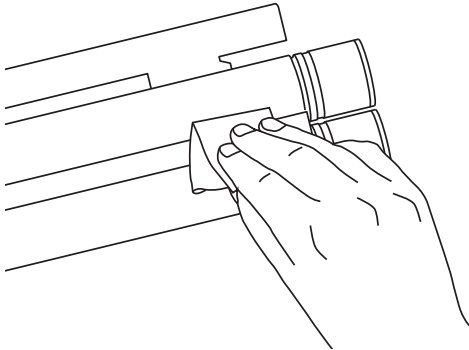




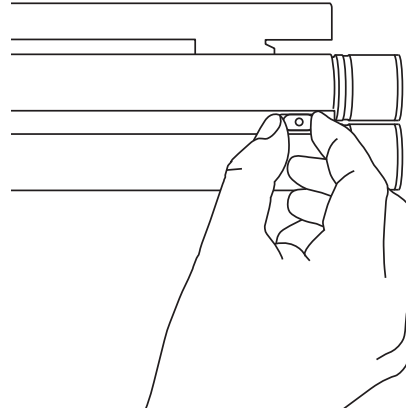
FITTING INSTRUCTIONS

For right-handed guns and right eye on the gun, follow the instructions for fitting to the right side of the barrels. For left-handed guns and left eye on the gun, follow the instructions but fit to the left side (Note: Steps 3-4 are reversed)



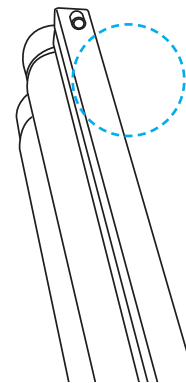
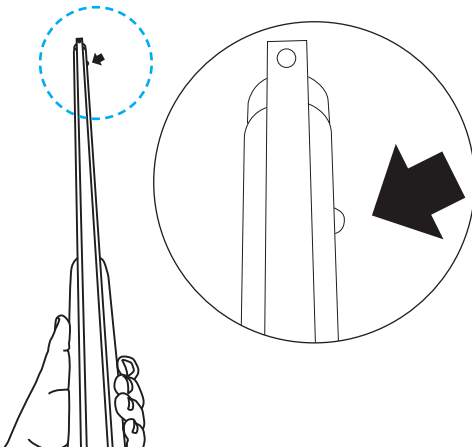
STEP 1

Using the wipe provided, clean an area of approximately 50mm (2") between both barrels where the SP will be positioned. Ensure that you only wipe in one direction.



STEP 2

Remove the tape backing and place the SP between both barrels approximately 25mm (1") from the barrel end, **NOTE: don't press firmly into place at this point, as you may need to reposition the device.**



STEP 3

Hold your gun in the ready position and close your left eye: you should be able to see the SP with your right eye.

STEP 4

With your gun still in the ready position, close your right eye. You shouldn't be able to see the SP with your left eye. If you can, move the SP slightly backwards or forwards until you can't see it.

STEP 5

Once a suitable position is found, press the SP firmly for 10 seconds. This activates the adhesive. It will not be possible to reposition the SP after this point.

